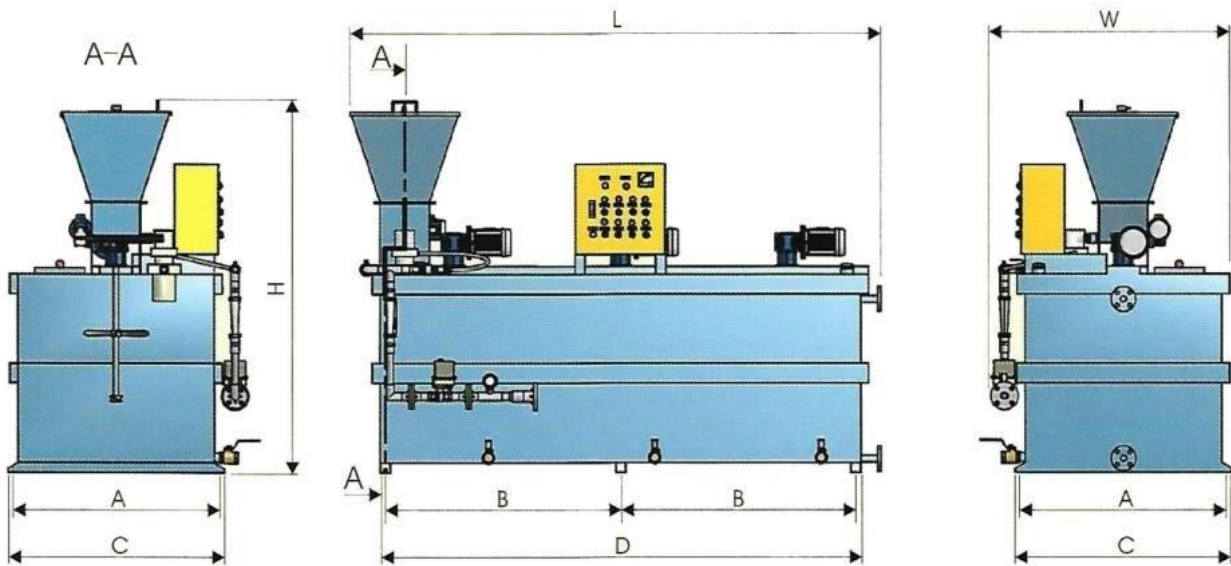
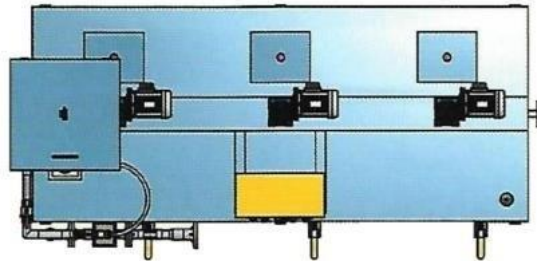


AUTOMATIC POLYMER PREPARATION SYSTEMS



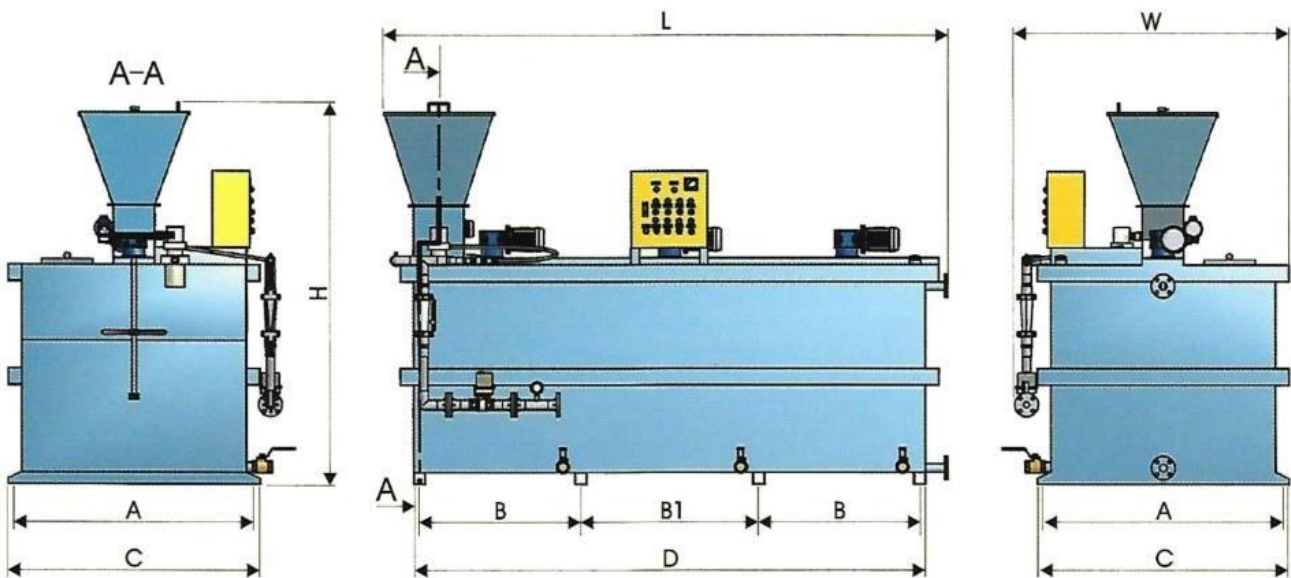
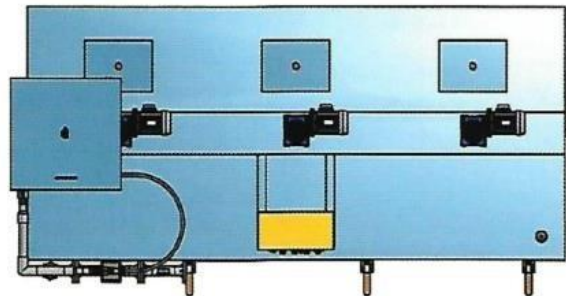
Automatic Polymer Preparation Systems



YCD - 500~2000 Technical Data

Model	Capacity (L/hr)	Storage Hopper (L)	Use Power				(L.W.H) mm	Basic (A.B) (C.D) mm	Weight (KG)
			Screw (HP)	Dissolution (HP)	Maturing (HP)	Storage (HP)			
YCD-500	500	50	1/4	1/3	1/3	1/3	1880 795 1505	650x825 700x1700	340
YCD-1000	1000	50	1/4	1/3	1/3	1/3	2198 1020 1605	850x984 900x2018	450
YCD-1500	1500	50	1/4	1/2	1/2	1/2	2408 1020 1753	850x1089 900x2228	570
YCD-2000	2000	80	1/4	1/2	1/2	1/2	2695 1225 1875	1050x1195 1100x2440	720

customize according to dimensions



YCD - 3000~10000 Technical Data

Model	Capacity (L/hr)	Storage Hopper (L)	Use Power				(L.W.H) mm	Basic (A.B) (C.D) mm	Weight (KG)
			Screw (HP)	Dissolution (HP)	Maturing (HP)	Storage (HP)			
YCD-3000	3000	80	1/4	1/2	1/2	1/2	2975 1210 2075	1050x860x950 1100x2720	980
YCD-5000	5000	120	1/4	1	1	1	3360 1635 2260	1420x960x1060 1500x3050	1280
YCD-7000	7000	120	1/4	1	1	1	3750 1820 2262	1605x1100x1170 1685x3440	1650
YCD-10000	10000	160	1/4	2	2	2	4675 1820 2667	1605x1380x1480 1685x4340	2150

customize according to dimensions